

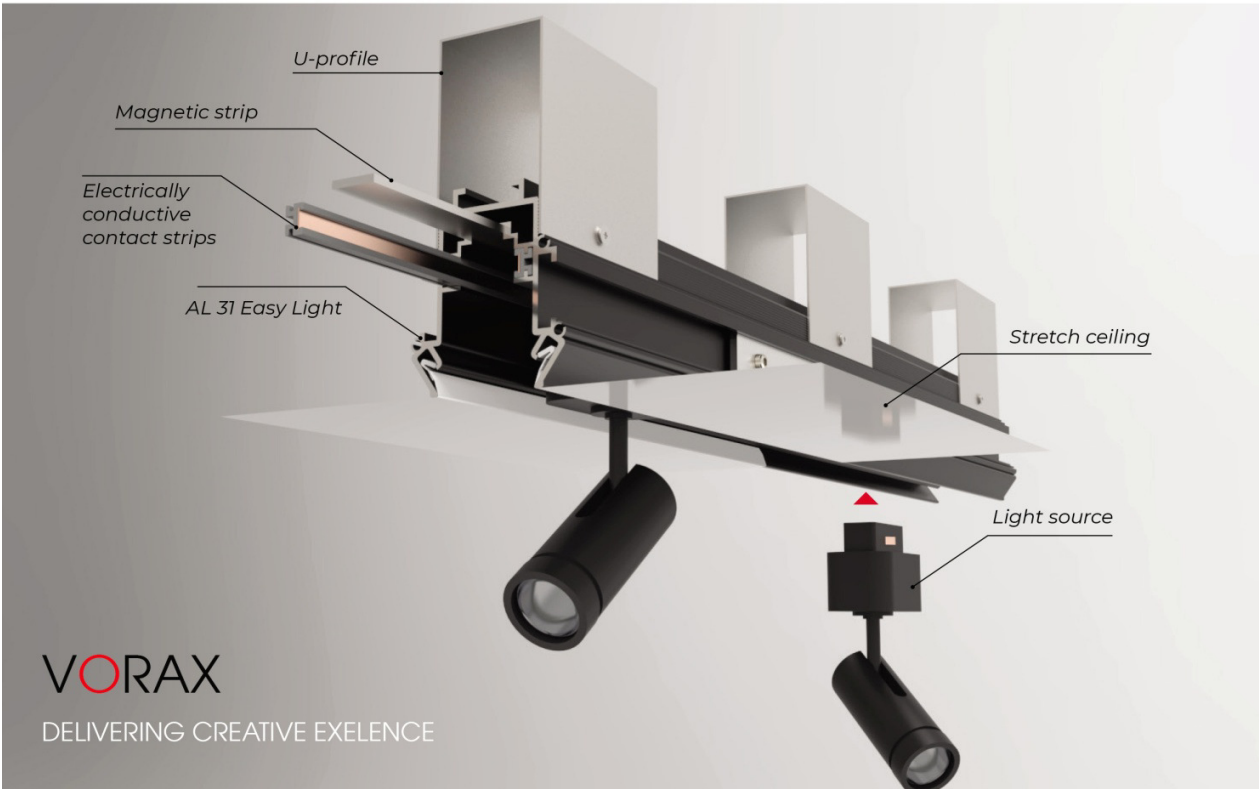


VECTA[®] design
STRETCH CEILING SYSTEMS

EASY LIGHT

Developed by Vecta Design

Easy Light is an integrated light profile, that makes creating an interior design more playful and flexible. This innovative profile system allows to combine stretch ceiling and different lamps, which location can be easily changed. There are endless ways to re-design the light in the room, when You have such a flexible ceiling solution in use.



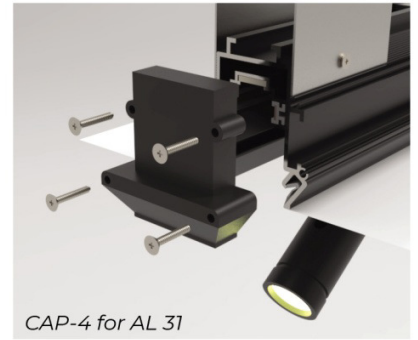
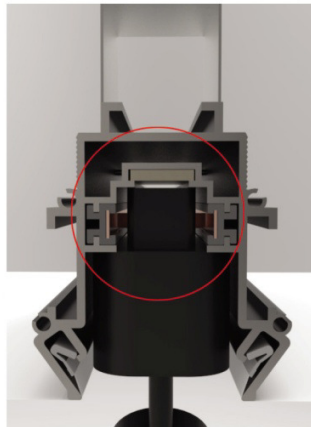
VORAX
DELIVERING CREATIVE EXELENCE



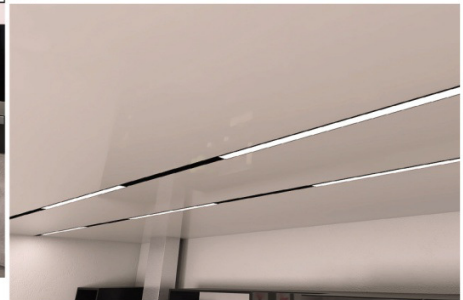
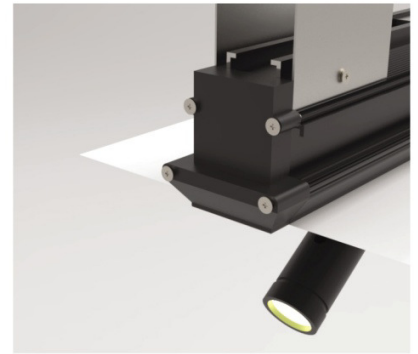
The aluminium profile system is equipped with a metal strip and a magnetic strip at the bottom of the lamps. Throughout the profile there are electrically conductive contact strips on both sides of the profile, this solution makes it possible to change the direction and the location of the lamps. To use according to the need visually different lamps, which may provide more soft or more cold light in the room, but also to use a lamp with more widely diffused lightbeams or a lamps with more narrow lightbeam.



LC-08

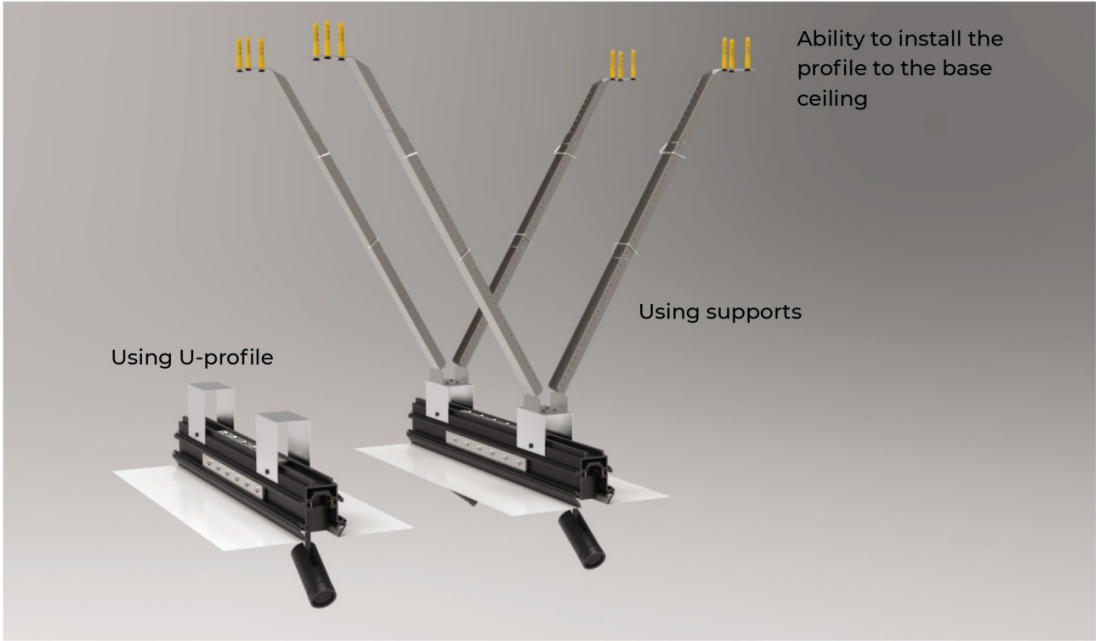


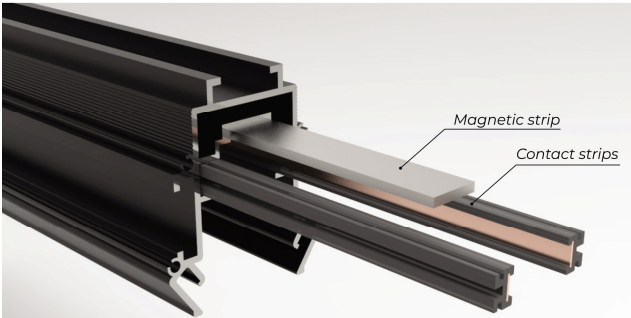
CAP-4 for AL 31





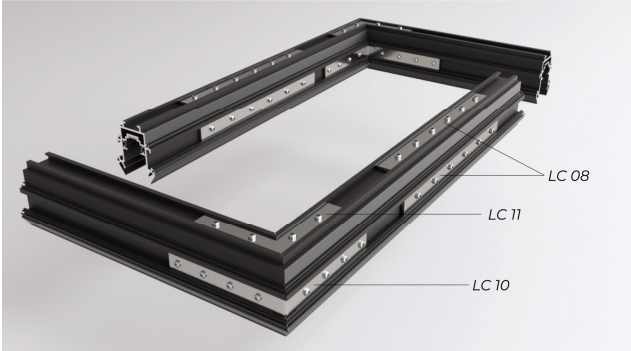
Easy Light profile is specially designed for interiors, where there is a need to change the additional lighting in the space. For example in a store, art gallery, in the office, exhibition center or other public but also private buildings. The profile system makes it possible to avoid costly construction investments and most of all, it saves You the precious time. From now on, there is a possibility to change the light, just when it feels right! It is just as simple and cost effective as it can get. Enjoy the interior design innovation.





Magnetic strip
Contact strips

AL 31 Easy Light set
(included Electrically conductive contact strips and Magnetic strip)



LC 08
LC 11
LC 10

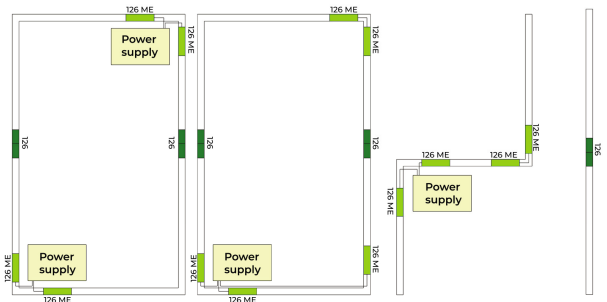
Tight screws of LC connectors carefully to avoid deformation of profile side walls!



CONNECTOR 126
Connector for profile extension

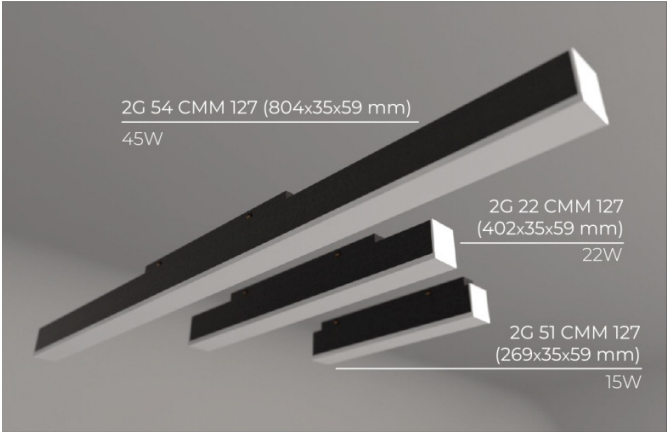
CABLE FEEDER 126 ME
Connector for power transmission

Connection scheme

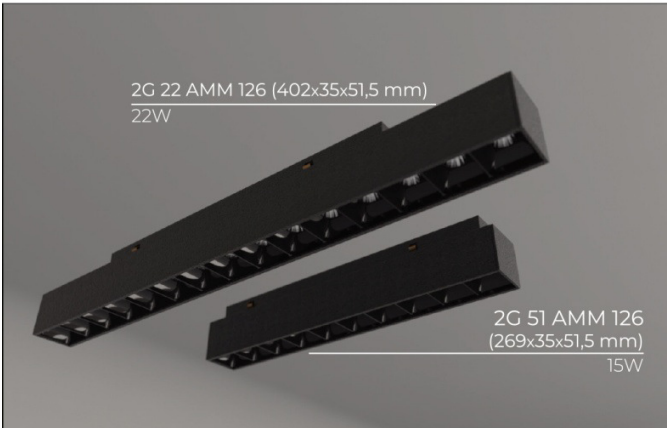


VORAX
DELIVERING CREATIVE EXCELLENCE

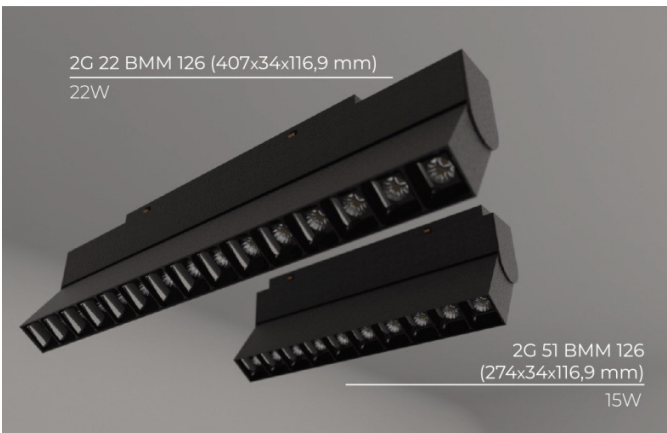
EASY LIGHT
Developed by Vecta Design



- LED linear light modular
- Philips 2835 LED
- CRI >90
- CCT 4000K
- DC24V
- Aluminum + Acrylic
- Sandy black finish color body
- Beam angle 120°
- Size: (L*W*H)
- IP 20

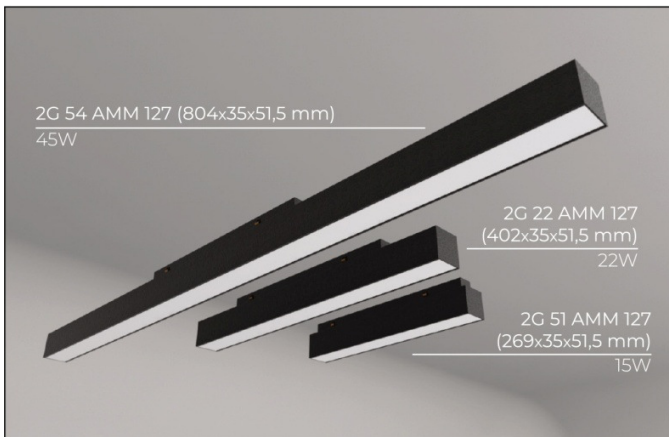


- LED linear light modular
- Philips 3030 LED
- CRI >90
- CCT 4000K
- DC24V
- Aluminum + PMMA
- Sandy black finish color body
- Beam angle 30°
- Size: (L*W*H)
- IP 20

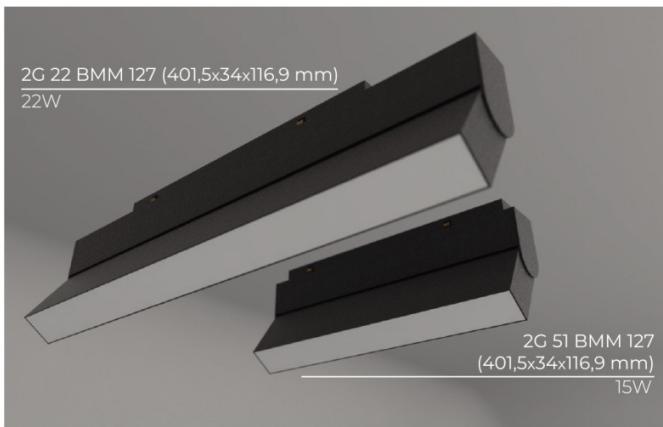


- LED linear light modular
- Philips 3030 LED
- CRI >90
- CCT 4000K
- DC24V
- Aluminum + PMMA
- Sandy black finish color body
- Beam angle 30°
- Size: (L*W*H mm)
- IP 20





- LED linear light modular Philips 2835 LED
- CRI >90
- CCT 4000K
- DC24V
- Aluminum + PMMA
- Sandy black finish color body
- Beam angle 120°
- Size: (L*W*H mm)
- IP 20



- LED linear light modular Philips 2835 LED
- CRI >90
- CCT 4000K
- DC24V
- Aluminum + PC
- Sandy black finish color body
- Beam angle 120°
- Size: (L*W*H mm)
- IP 20



- LED spot light modular COB chip
- CRI >90
- Anti-Glare
- CCT 4000K
- DC24V
- Aluminum body
- Sandy black finish color body
- Beam angle 35°
- Size: (W*H mm)
- IP 20





- LED spot light modular COB chip
- CRI >90
- CCT 4000K
- DC24V
- Aluminum body
- Sandy black finish color body
- Beam angle 35°
- Size: (W*H mm)
- IP 20



- LED ball modular Philips SMD chip
- CRI >90
- CCT 4000K
- DC24V
- Glass body
- Beam angle 120°
- Size: (W*H mm)
- IP 20

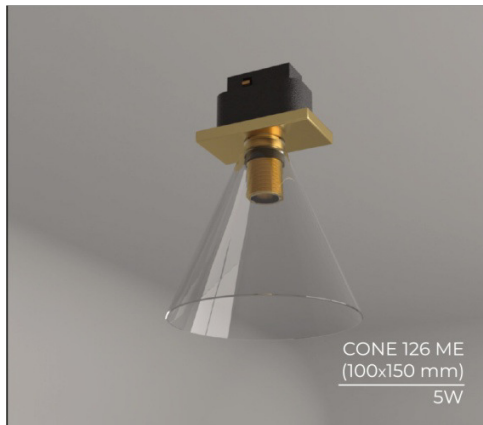


- LED ball modular
- Hanging Philips SMD chip
- CRI >90
- CCT 4000K
- DC24V
- Glass body
- Sandy black finish color body
- Beam angle 35°
- Size: (W*H mm)
- IP 20





- LED spot light modular COB chip
- CRI >90
- CCT 4000K
- DC24V
- Aluminum body
- Sandy black finish color body
- Beam angle: 35° (01 DSM 126 and 01 ADSM 126)
- 120° (51 ESM 126)
- Size: (W*H mm)
- IP 20

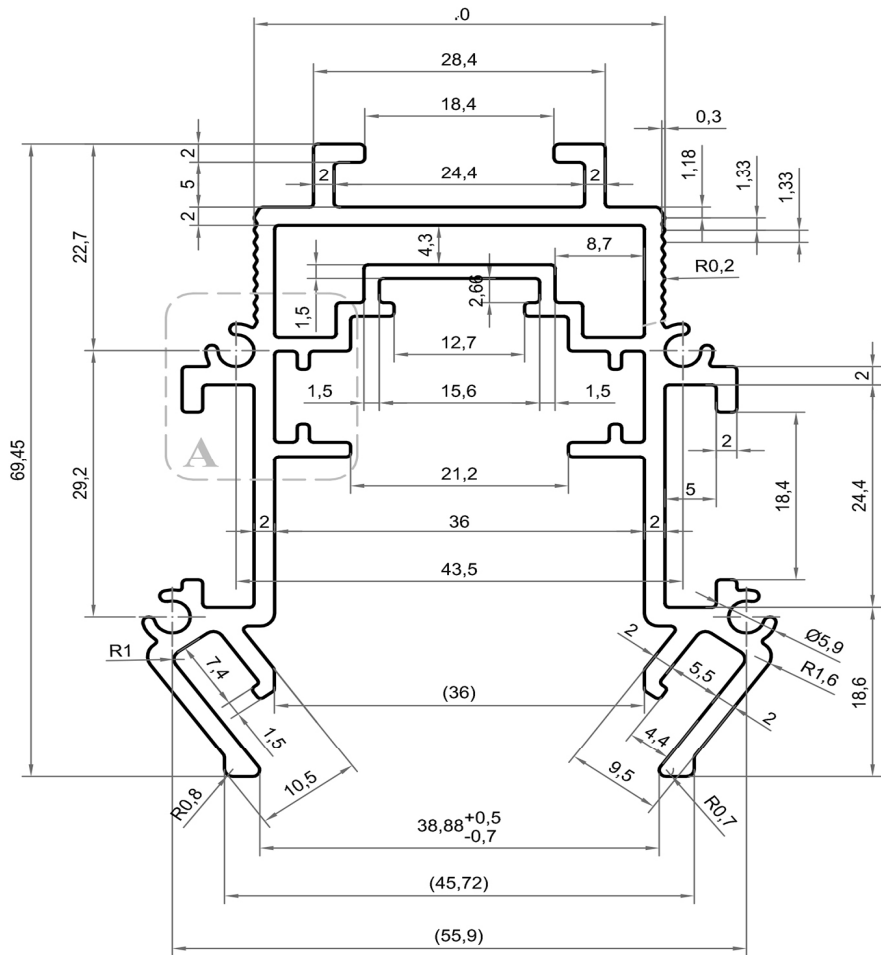


- LED ball modular Philips SMD chip
- CRI >90
- CCT 4000K
- DC24V
- Glass body
- Beam angle 120°
- Size: (W*H mm)
- IP 20



- LED ball modular
- Hanging Philips SMD chip
- CRI >90
- CCT 4000K
- DC24V
- Glass body
- Sandy black finish color body
- Beam angle 35°
- Size: (W*H mm)
- IP 20







EASY LIGHT
Developed by *Vecta Design*

VORAX

WWW.VORAX.IE
INFO@VORAX.IE
00353861030534